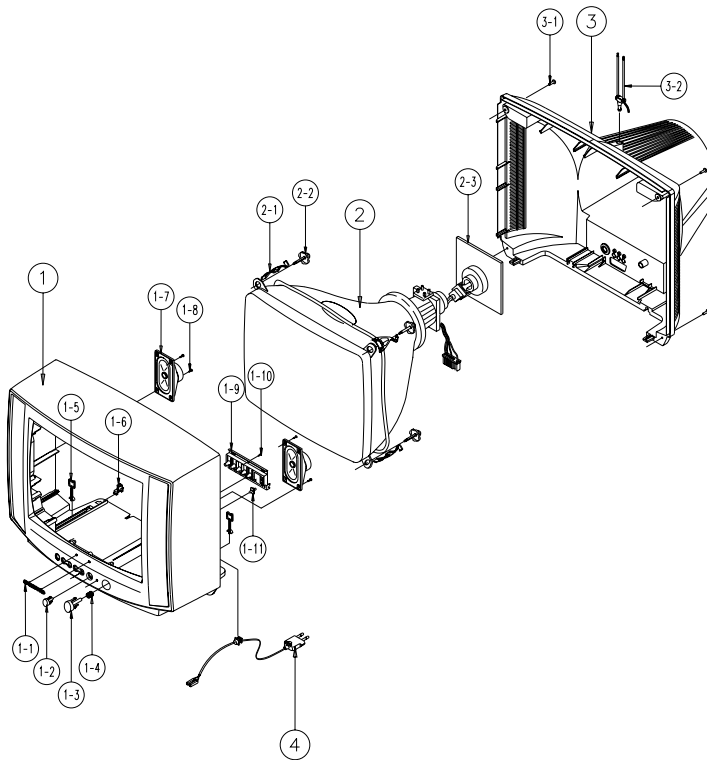


## 6. Exploded View & Parts List

### 6-1 CK20H1T5X/XEH



No	Code No	Description	Specification	Q'ty	Remark
1	HA91-100020	ASSY-CABINET,FRONT	20H1	1	LOCAL
	HA64-31354A	CABINET-FRONT	-,20H1,BK708P,HIPS,HB,BLK,-,-	1	LOCAL
1-1	AA64-70010B	BADGE-BRAND	AL,SS R2000 25,SILVER,L50,-,-,-	1	
1-2	AA64-40527A	WINDOW-REMOCON	-,21H1,-,PC,-,-,-	1	
1-3	HA64-10806A	KNOB-POWER	-,21H1,-,ABS,HB,BLK	1	LOCAL
1-4	AA61-60003T	SPRING-CS	-,SUS304,0.5,OD7,H13.5,N5,-,-,-	1	
1-5	AA65-30018A	CLAMP-WIRE	NYLON-66,-,-,DATL-600,DONG-A,-	2	
1-6	AA61-40113A	STOPPER-PCB	501H,HIPS,NTR,HB,-,-	1	
1-7	3001-001020	SPEAKER	3W,8ohm,90dB,140Hz	2	
1-8	6002-000514	SCREW-TAPPING	RH,+2,M4,L15,ZPC(BLK),SWRCH18	4	
1-9	HA64-10805A	KNOB-CONTROL	-,21H1,-,ABS,HB,BLK	1	LOCAL
1-10	6002-000514	SCREW-TAPPING	RH,+2,M4,L15,ZPC(BLK),SWRCH18	1	
1-11	AA64-40496A	INDICATOR-LED	-,,-,ACRYL,-,-,-	1	
2	AA03-10031D	CRT-COLOR	-,A48ECR141X,+400mG,20,90deg,	1	
2-1	AA65-30107A	CLAMP-D,COIL	NYLON 66,V2,NTR,-,20-22 INCH,-	4	
2-2	AA60-10050Q	SCREW-ASSY	WC,HH,+M5,L26.5,SWRCH18A,ZPC	4	
2-3	3704-001090	SOCKET-CRT	9P,15.24PI,26.5PI,SN,-	1	
3	HA64-31353A	CABINET-BACK	-,20H1,21H1,HIPS,V2,BLK,-,-	1	LOCAL
3-1	6002-000514	SCREW-TAPPING	RH,+2,M4,L15,ZPC(BLK),SWRCH18	4	
3-2		ACCESSORY OPTION			
4	AA39-10001G	POWER-CORD	-,KKP-419C,KLCE-2F,2.286M,HOUS	1	